

KT-UH43DH/DF

4K 20/12X PTZ Camera

4K 30FPS

20X/12X Optical Zoom

USB3.0+HDMI+LAN+3G-SDI

AI Tracking

Auto Framing



Features

■ 4K30 Ultra HD Smooth Video Output:

SONY 1/2.8-inch 8.29 million pixel high-quality image sensor, it can achieve a maximum of 3840x2160 30FPS ultra-high resolution and high frame rate quality images.

■ 12x, 20x Optical Zoom Lens:

UH43DF: 12x optical zoom, 72.5 distortion-free horizontal viewing angle.

UH43DH: 20x optical zoom, 58.7 distortion-free horizontal viewing angle.

Meet more scenes such as live broadcast of large-scale auditorium meetings, blackboard writing in lecture theaters, and other real-life details.

■ USB3.0+HDMI+LAN+3G-SDI full interface, rich application scenarios :

USB3.0+HDMI+LAN+3G-SDI all-in-one interface setup. USB3.0+HDMI supports 4K30 Ultra HD video output, while LAN+3G-SDI supports 1080p60 resolution output. All interfaces can be used simultaneously.

■ Low light:

The new ultra-high signal-to-noise ratio CMOS image sensor can effectively reduce image noise under low-light conditions. At the same time, 2D & 3D digital noise reduction is applied to significantly reduce image noise. Even under ultra-low light conditions, the image can still be kept clean and clear, and the image signal-to-noise ratio is higher than 50dB.

■ Remote control:

Multiple cameras can be controlled using RS232 and RS485 serial ports.

■ Infrared transparent transmission :

In addition to receiving its own dedicated remote control signal, it can also receive users' infrared remote control signals and send them to the video conferencing terminal through the RS232 IN port.

■ Contains multiple control protocols :

various control protocols such as VISCA, PELCO P/D, and Onvif, and supports automatic identification protocols.

■ Multiple video compression standards:

Different interfaces support multiple video compression formats such as YUY2, H.265, MJPG, and H.264.

■ Multiple network protocols

Supports ONVIF, SRT, RTSP, RTMP, RTMPS and other network protocols.

■ Multiple control protocols

Supports VISCA (including VISCA Over IP), PELCO P/D protocols, and automatic identification protocols.

■ Various installation methods

Multiple installation methods, can be installed on desktop, ceiling, or wall.

■ New generation AI human tracking algorithm:

Supports AI tracking and Auto framing functions.

(*Note: Note: With AI intelligent tracking and automatic framing enabled, USB3.0 supports 4K30 resolution output, HDMI+IP supports 1080p60 resolution output, and 3G-SDI has no video output. All three interfaces can output simultaneously.)

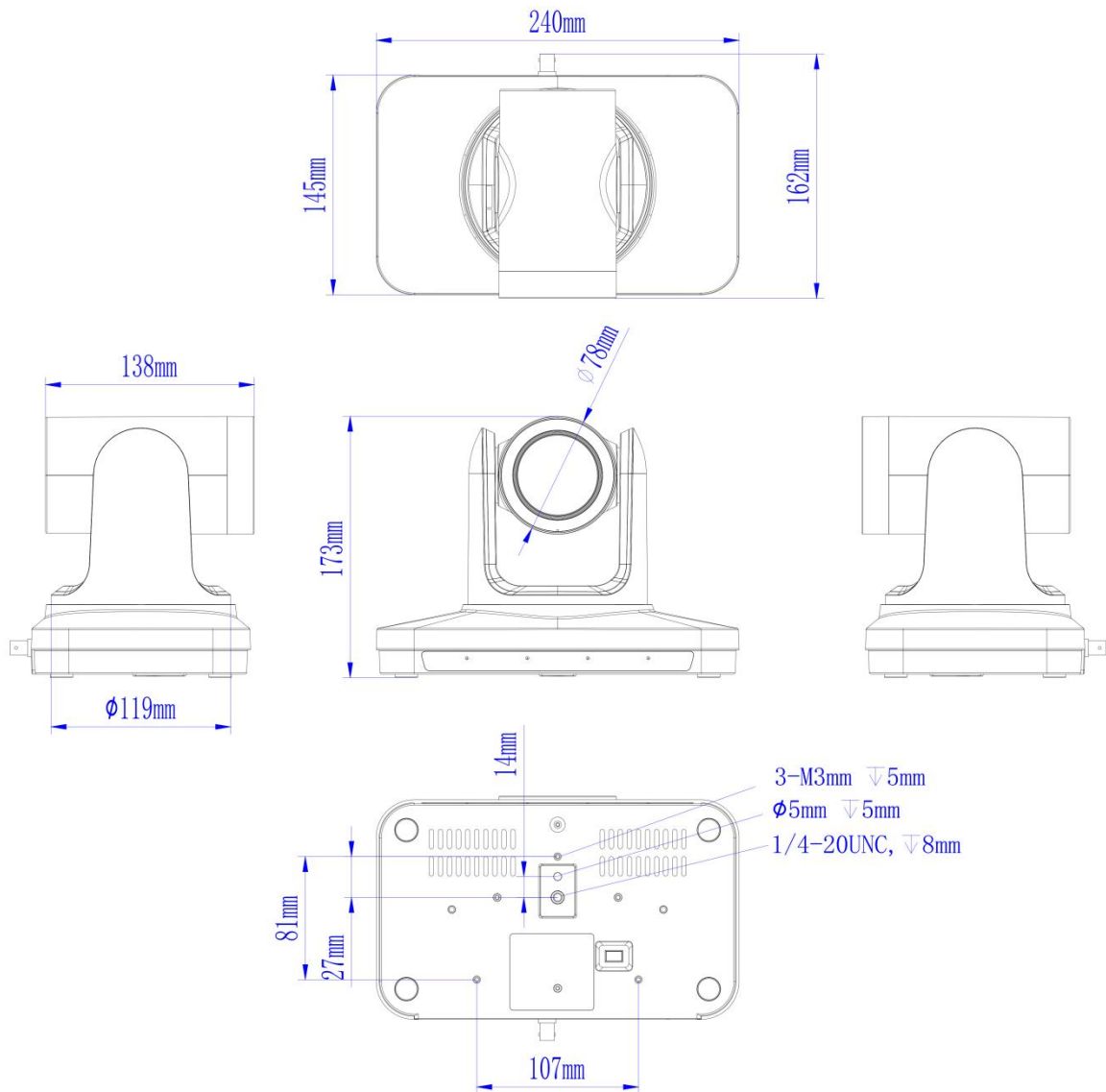
Camera parameters

Image Parameters	
Resolution	HDMI: 4K30/25, 1080p60/59.94/50/30/29.97/25, 720p60/50 SDI: 1080p60/59.94/50/30/29.97/25, 720p60/50
Image Sensor	SONY 1/2.8 inch CMOS
Pixel	8.50 Megapixels, 8.29 Effective Megapixels
Scan Mode	Line by line
Lens	UH43DF:12X optical zoom, f=4.1mm (W) ~ 49.2mm (T), F1.8~F2.68 UH43DH:20X optical zoom, f=5.2mm(W)~104mm(T), F1.55~F3.13
Digital Zoom	16X
Horizontal View Angle	UH43DF: 72.5°(W)~6.57°(T) UH43DH: 58.7°(W)~3.2°(T)
Vertical View Angle	UH43DF: 42.06°(W)~3.76°(T) UH43DH: 32.2°(W)~1.8°(T)
Focus System	Auto, Manual

Shutter Speed	1/25s ~ 1/10000s
Minimum illumination	UH43DF: 0.1 Lux @ (F1.8, AGC ON) UH43DH: 0.1 Lux @ (F1.5, AGC ON)
Exposure	Auto, manual, aperture priority, shutter priority, brightness priority
White Balance	Automatic, indoor, outdoor, keyed, automatic tracking, manual
Backlight Compensation	Support
Digital Noise Reduction	2D&3D digital noise reduction
S/N Ratio	≥50dB
Pan/Tilt	
Pan Angle	±168°
Tilt Angle	-30°~+90°
Pan Speed	1°~90°/s
Tilt Speed	1°~90°/s
Preset Positions	9 preset positions by IR remote controller, 255 preset positions by joystick controller
Preset Accuracy	0.1°±10%
Flip	Support
Image freeze	Support
AI	
AI Tracking	Support
Auto Framing	Support
Tracking Size	Support
Tracking Sensitivity	Support
AI Guard Position	Support
USB	
Protocol	UVC 1.1
Operating System	Window7 and above, MacOS, Linux, Android
Video Compression	YUY2, MJPEG
Resolution	3840*2160, 2560*1440, 1920*1080, 1280*720, 960*540, 800*600, 720*576, 720*480, 640*480, 640*360, 352*288, 320*240
Frame Rate	Max.30
UVC Control	Support
LAN	
Protocol	TCP/IP, HTTP, RTSP, RTMP, RTMPS, SRT, Onvif, DHCP, VISCA Over IP
Video Compression	H.264, H.265
Code Stream	Main stream *1, auxiliary stream *1
Main stream	1920*1080

resolution	
Sub Stream Resolution	640*480, 640*360, 480*360, 352*288, 320*240, 176*144
Bitrate Control	variable code rate, fixed code rate
Audio	
Audio Compression	AAC
Audio Bit Rate	128kbps
Interface	
HDMI Interface	1 Line, HDMI: Version 1.4
SDI Interface	1 Line, 3G-SDI
USB Interface	1 Line, USB3.0, Type-B Socket 1 Line, USB2.0 extensional in, Type-A Socket
Network Interface	1 Line, RJ45: 10M/100M adaptive Ethernet port
Audio Interface	1 Line, Line In, 3.5mm
Serial Interface	1 Line, RS232 IN/Out: 8-Pin Mini Din, up to 30 meters, VISCA/Pelco-D/Pelco-P Protocol. 1 Line, RS422/485: 3-Core Phoenix Interface, up to 1200 meters, VISCA/Pelco-D/Pelco-P Protocol.
Power Interface	JEITA RC-5320A Type 4
General Specifications	
Input Voltage	DC 12V
Input Current	Max.1.5A
Power consumption	Max.18W
Operating Temperature	0~40℃
Storage Temperature	-10~60℃
Color	black
Dimension	(W)240*(D)162*(H)173mm
Weight	1.2kg
Accessories	DC 12V power adapter, IR Remote, User manual, USB3.0 Cable, RS-232C Cable, Ceiling bracket, Wall bracket(Optional)

Dimensional wireframe



Application scenarios



Connection diagram

